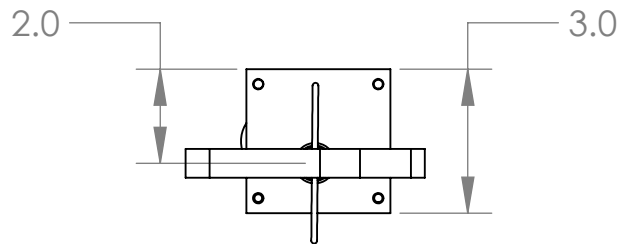
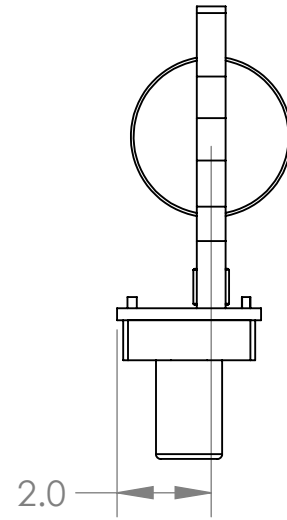
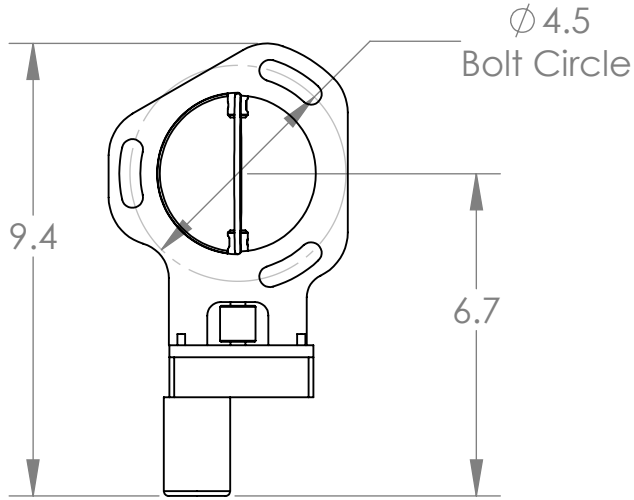


THE INFORMATION CONTAINED IN THIS DRAWING IS PRIVATE. ANY REPRODUCTION IN PART OR WHOLE WITHOUT WRITTEN PERMISSION IS PROHIBITED.



NOTES:  
Material

Customer Assembly Drawing  
Shown in open position

ALL DIMENSIONS IN INCHES UNLESS SPECIFIED	CAD GENERATED DRAWING, DO NOT MANUALLY UPDATE		<b>Race Ready Performance</b>	
	APPROVALS	DATE	EC350	
TOLERANCES ARE:	DRAWN B. Johnson	2/8/2013	SIZE A	DWG. NO.
	CHECKED		SCALE 1:4	CAD FILE:
				REV. --
				SHEET 2 OF 2